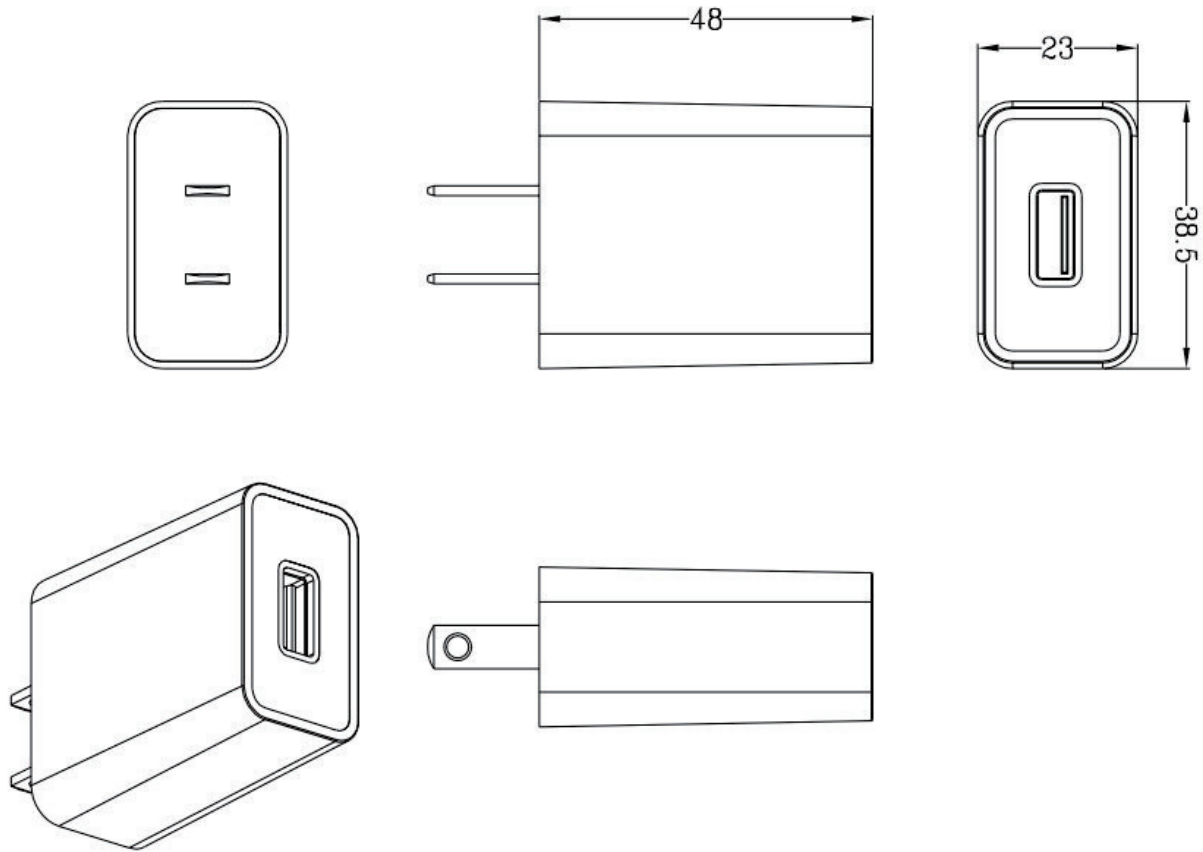


Direct Plug-in Type 12W series



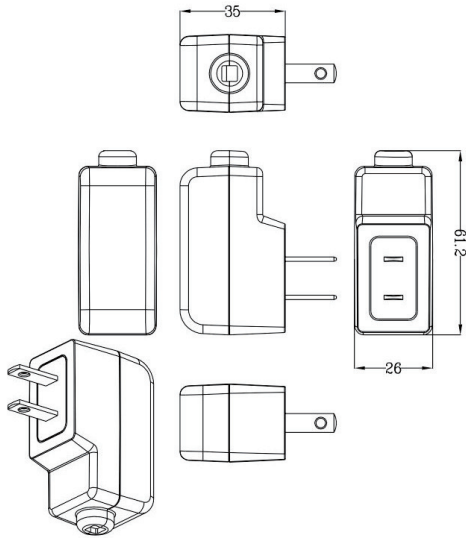
Type No	Output	
	Voltage	Current
USB	DC 5 V	2.4 A

Remarks :-

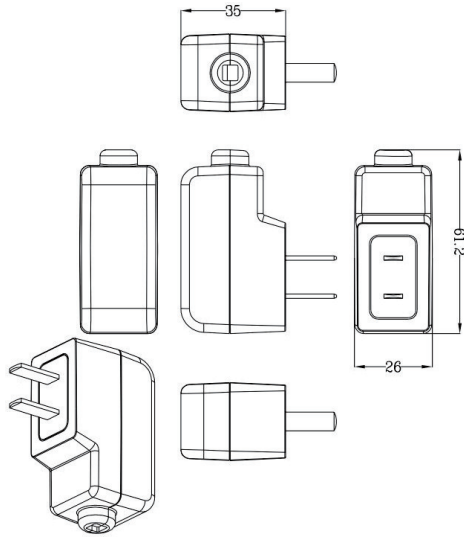
- 1) Input Voltage : 100-240V 50/60Hz
- 2) Safety Standard : cETLus60950 / CCC
- 3) For any further inquires about the safety approvals, output voltage or current, please feel free to contact our sales representative

Direct Plug-in Type 12W series

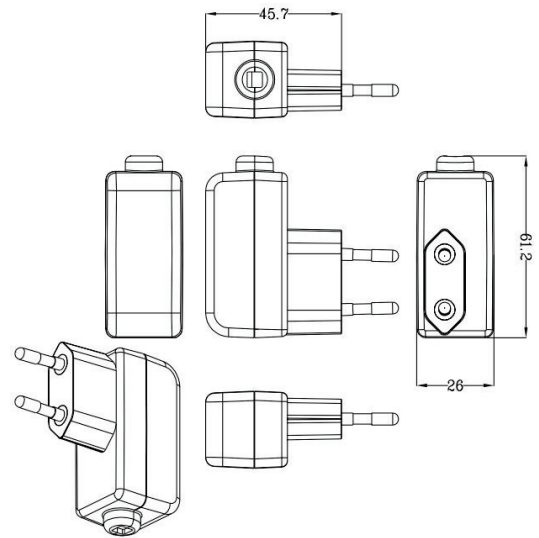
US/CAN/JP/TW version



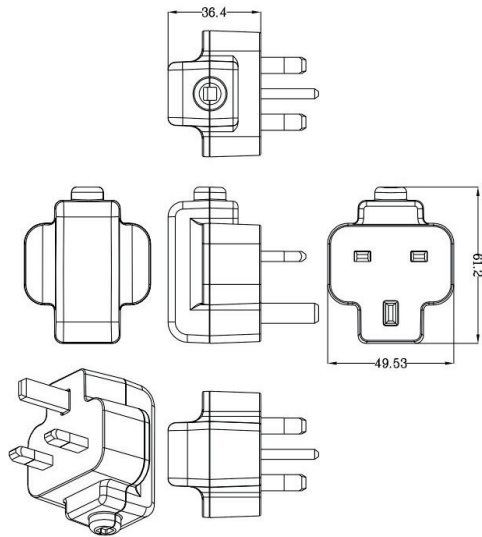
Mainland version



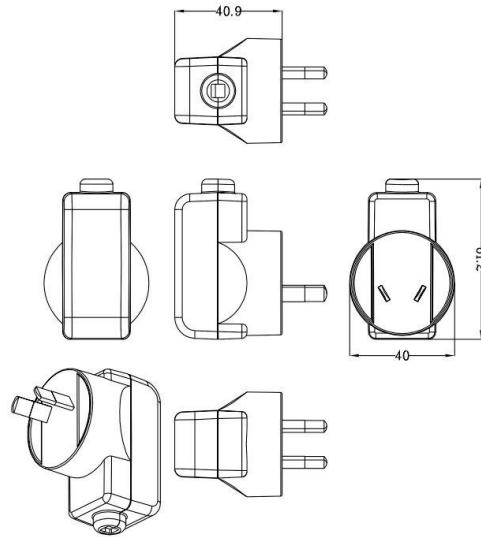
EU version



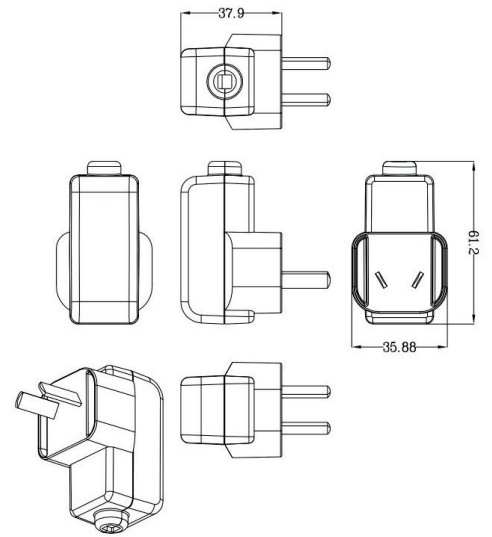
UK version



AU version



ARG version

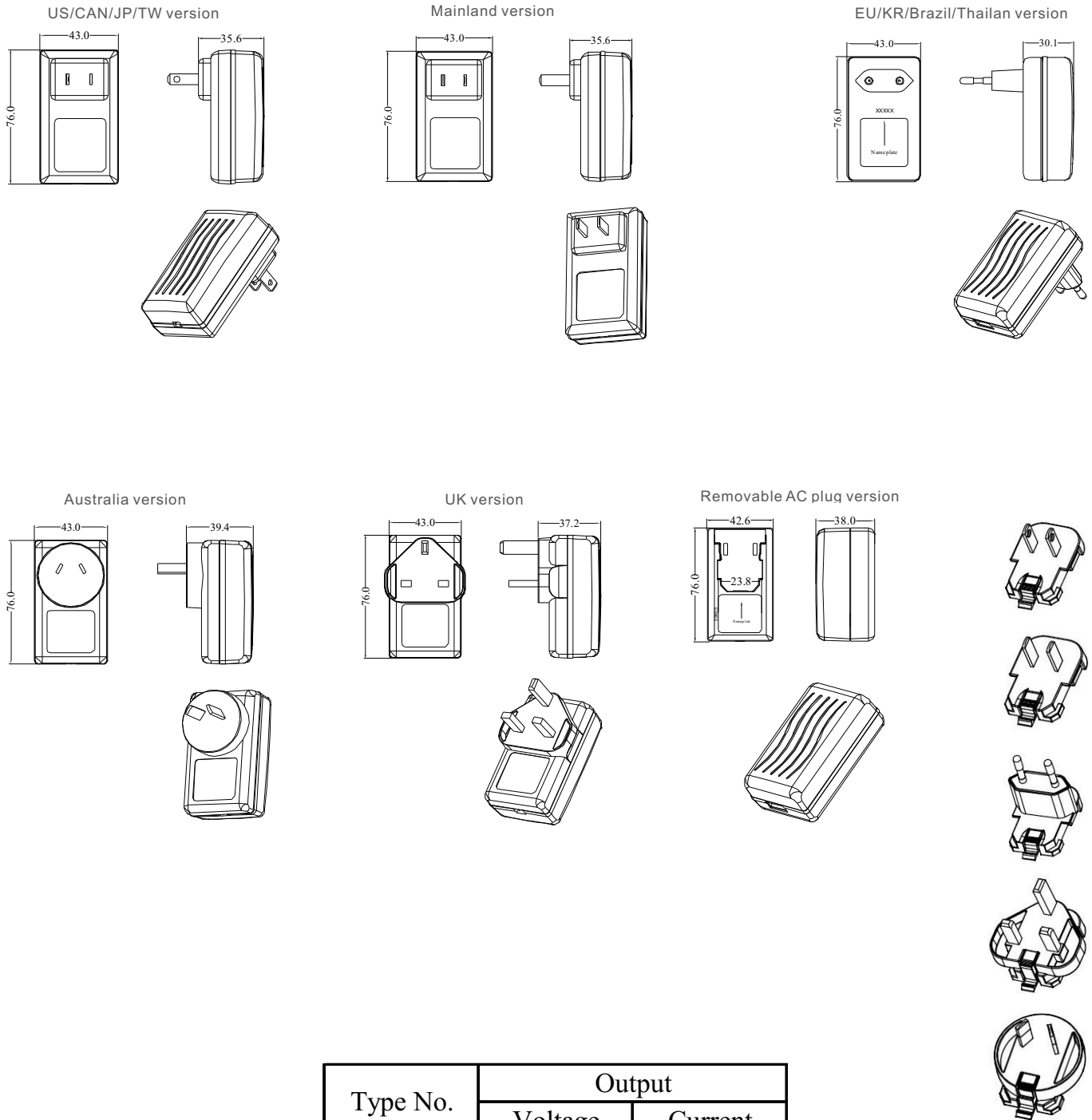


Type No	Output	
	Voltage	Current
New 12W	DC 3.3-36 V	DC 0.33-2.4 A

Remarks :-

- 1) Input Voltage : 100-240V 50/60Hz
- 2) Safety Standard : 60950 & 62368 (cETLus/FCC/CB/CE-LVD/CE-EMC/CCC)
- 3) For any further inquires about the safety approvals, output voltage or current, please feel free to contact our sales representative

Direct Plug-in Type 12W series



Type No.	Output	
	Voltage	Current
EFA012	5.0 - 14 V	0.7 - 2.4 A

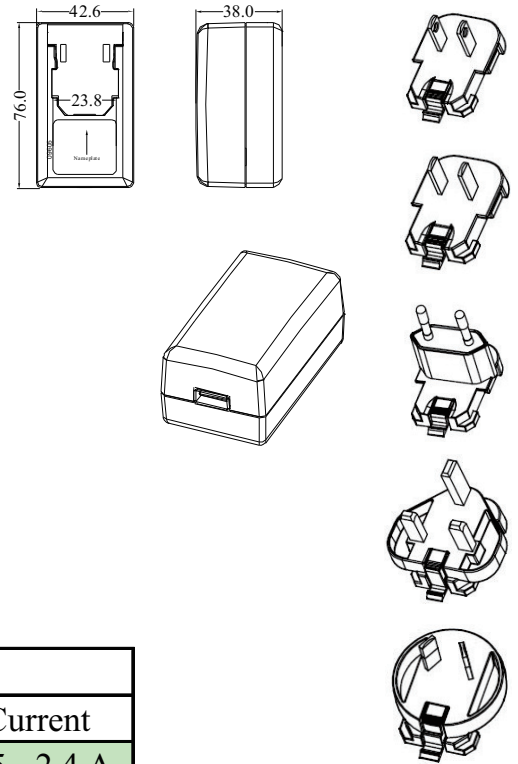
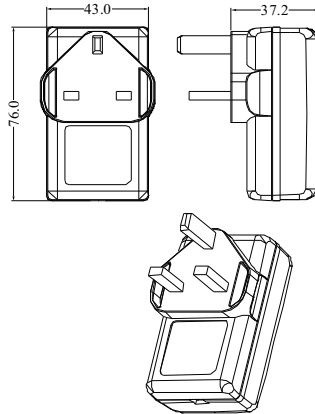
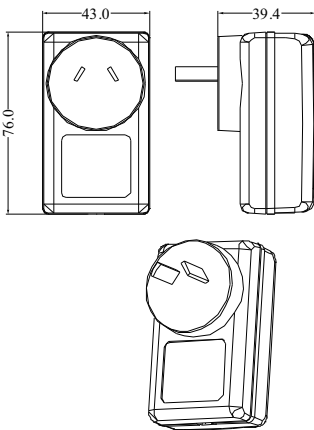
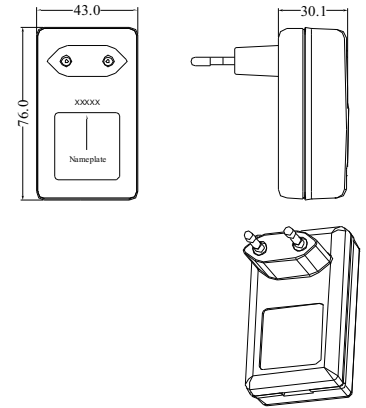
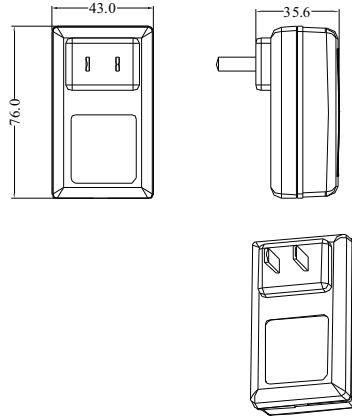
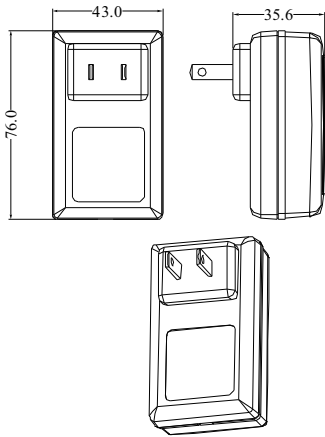
Remarks :-

- 1) Input Voltage : AC 100-240V 50/60 Hz
- 2.) Approved safety standard : UL/cUL60065/FCC/CE/GS-EN60065&60950/EMC/PSE/CCC/SAA
- 3.) Output Type : USB socket or cable
- 4.) For any further inquires about the safety approvals, output voltage or current, please feel free to contact our sales representative

Switching Power Supply

www.wahhing.com.hk

Direct Plug-in Type 12W series



Type No.	Output	
	Voltage	Current
EFS012	5.0 - 24 V	0.5 - 2.4 A

Remarks :-

- 1) Input Voltage : AC 100-240V 50/60 Hz
- 2.) Approved safety standard : UL/cUL60950/FCC/CE/GS-EN60065/EMC/PSE/CCC/GOST60950/SAA
- 3.) Output Type : USB socket or cable
- 4.) For any further inquires about the safety approvals, output voltage or current, please feel free to contact our sales representative