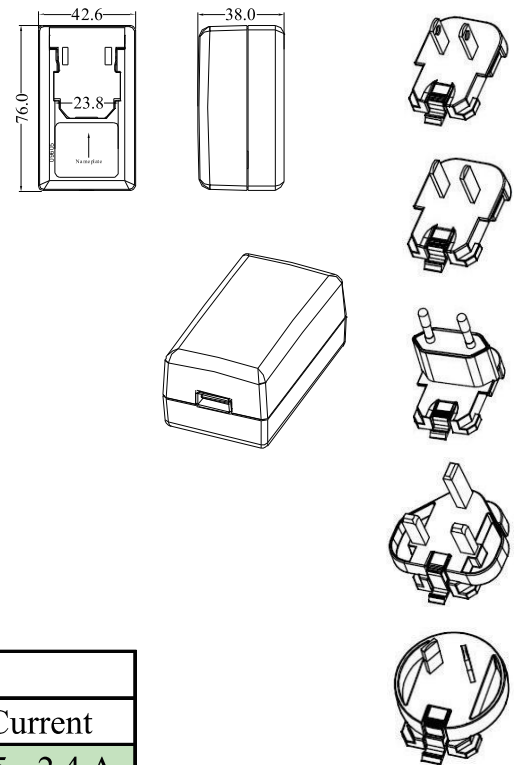
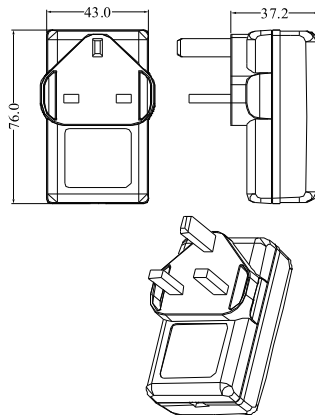
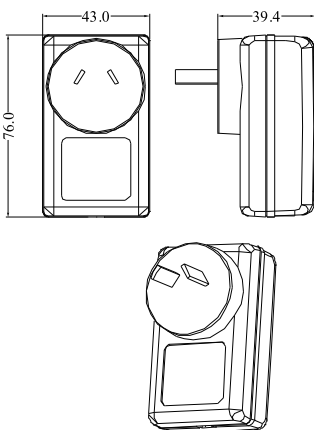
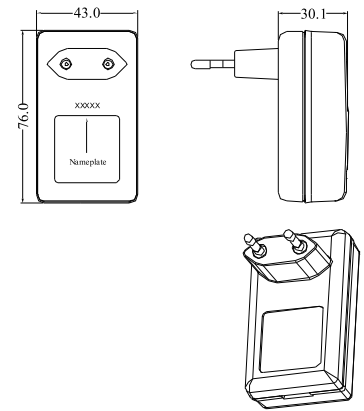
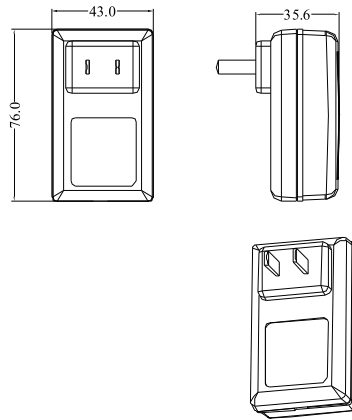
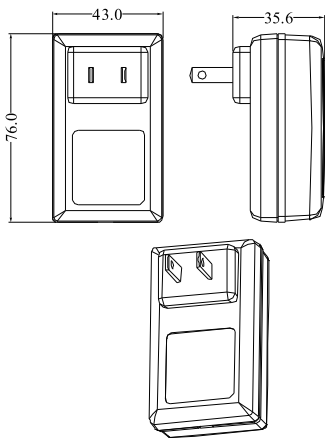


Switching Power Supply

www.wahhing.com.hk

Direct Plug-in Type 12W series



Type No.	Output	
	Voltage	Current
EFS012	5.0 - 24 V	0.5 - 2.4 A

Remarks :-

- 1) Input Voltage : AC 100-240V 50/60 Hz
- 2.) Approved safety standard : UL/cUL60950/FCC/CE/GS-EN60065/EMC/PSE/CCC/GOST60950/SAA
- 3.) Output Type : USB socket or cable
- 4.) For any further inquires about the safety approvals, output voltage or current, please feel free to contact our sales representative