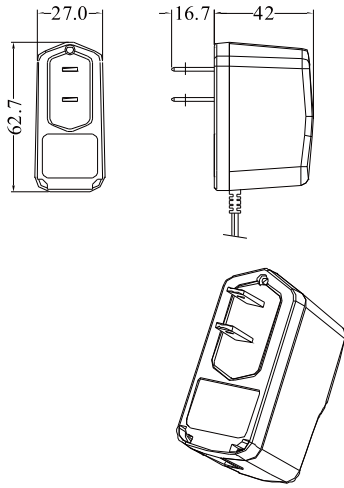
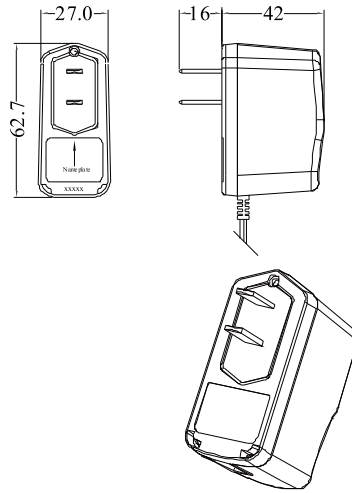


Direct Plug-in Type 5W series

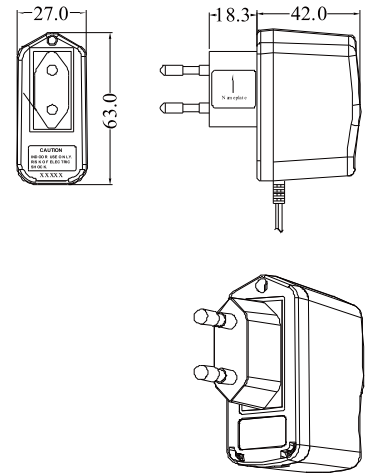
USA/CSA/JP/TW version



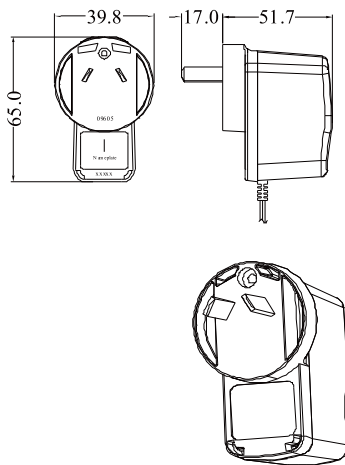
Mainland version



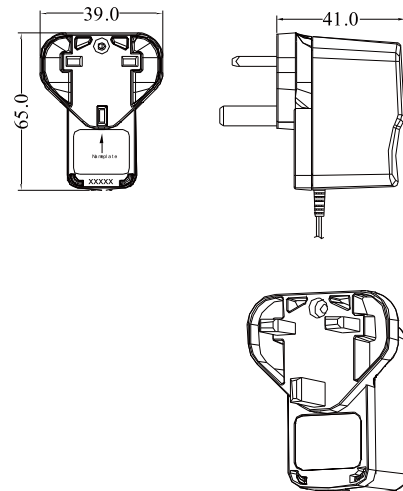
EU/KR/Brazil/Thailan version



Australia version



UK version



Type No.	Output	
	Voltage	Current
EFS005	5.0 - 12 V	0.4 - 1.0 A

Remarks :-

- 1) Input Voltage : AC 100-240V 50/60 Hz
- 2.) Approved safety standard : UL/cUL60950/FCC/CE/GS-EN60065/EMC/GOST60950/SAA
- 3.) For any further inquires about the safety approvals, output voltage or current, please feel free to contact our sales representative