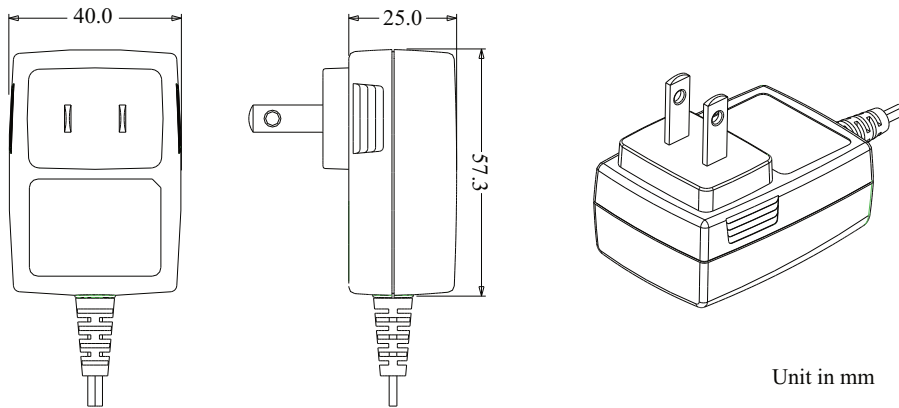
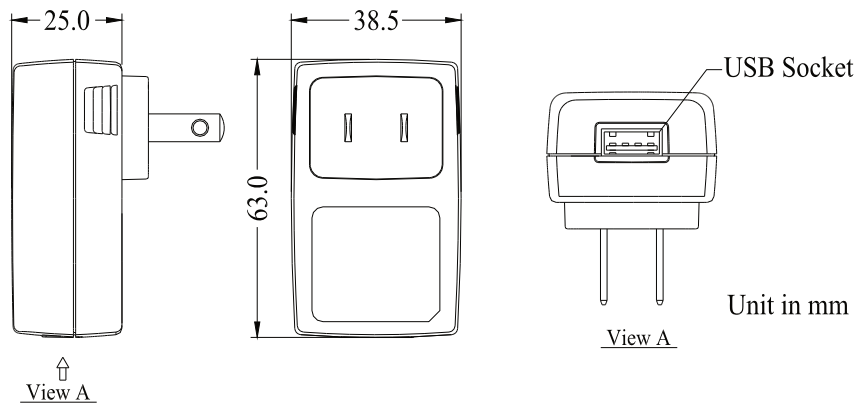


Direct Plug-in Type 4W series



Type No	Output	
	Voltage	Current
SA40	3.0 - 15.0 V	0.1 - 1.0 A



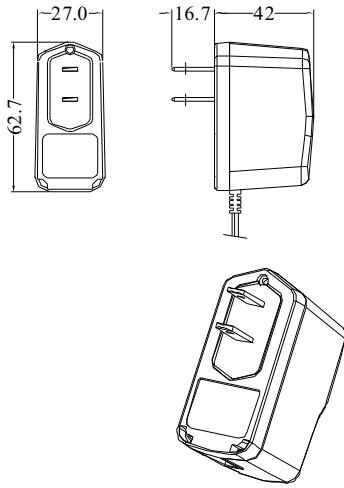
Type No	Output	
	Voltage	Current
SA38	5.00 V	0.2 - 0.8 A

Remarks :-

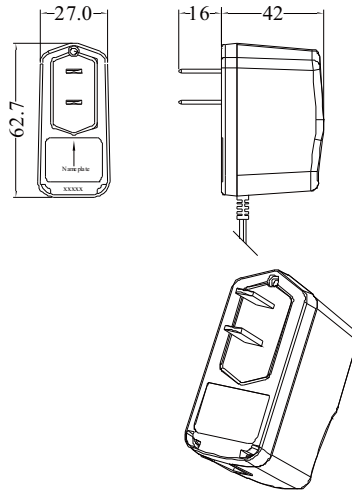
- 1) Input Voltage : AC 100-240V 50/60 Hz
- 2) Weight per unit : approximate 62gm
- 3) For any further inquires about the safety approvals, output voltage or current, please feel free to contact our sales representative

Direct Plug-in Type 5W series

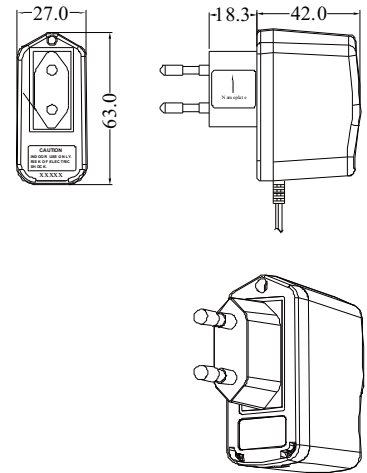
USA/CSA/JP/TW version



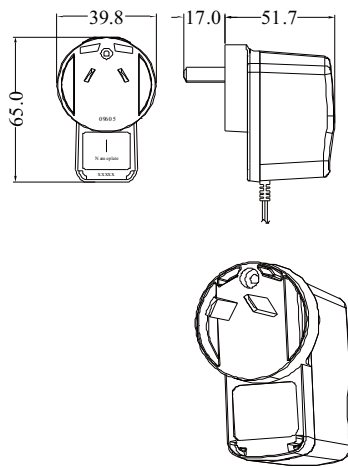
Mainland version



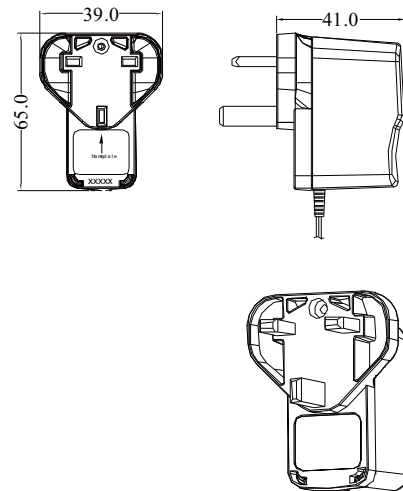
EU/KR/Brazil/Thailan version



Australia version



UK version



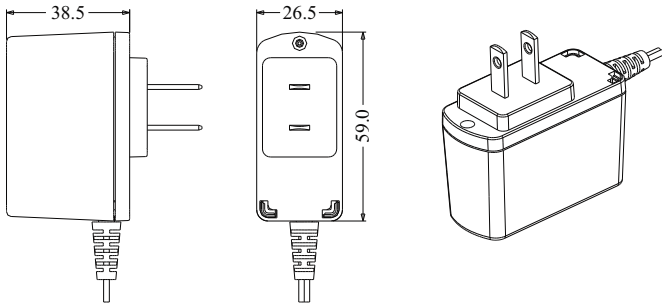
Type No.	Output	
	Voltage	Current
EFS005	5.0 - 12 V	0.4 - 1.0 A

Remarks :-

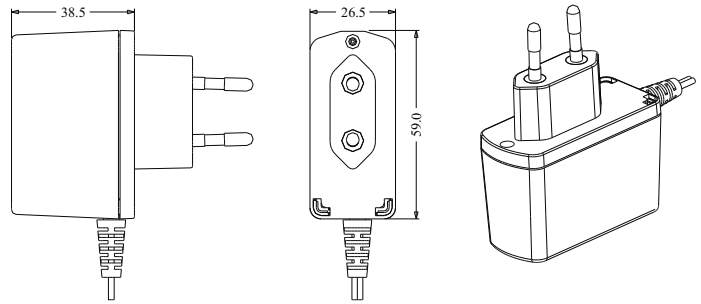
- 1) Input Voltage : AC 100-240V 50/60 Hz
- 2.) Approved safety standard : UL/cUL60950/FCC/CE/GS-EN60065/EMC/GOST60950/SAA
- 3.) For any further inquires about the safety approvals, output voltage or current, please feel free to contact our sales representative

Direct Plug-in Type 5W series

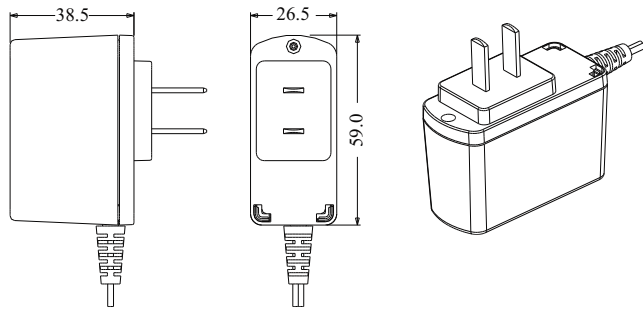
US/CAN version



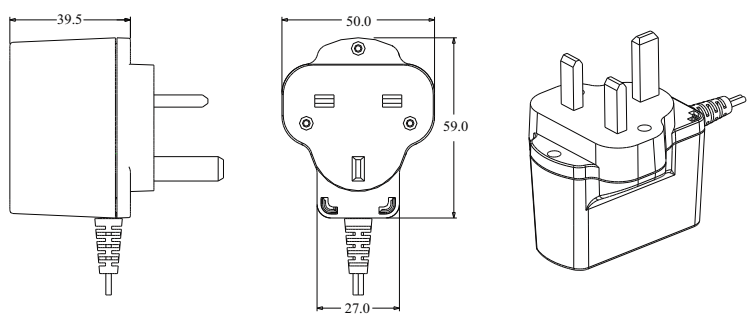
EU version



China version



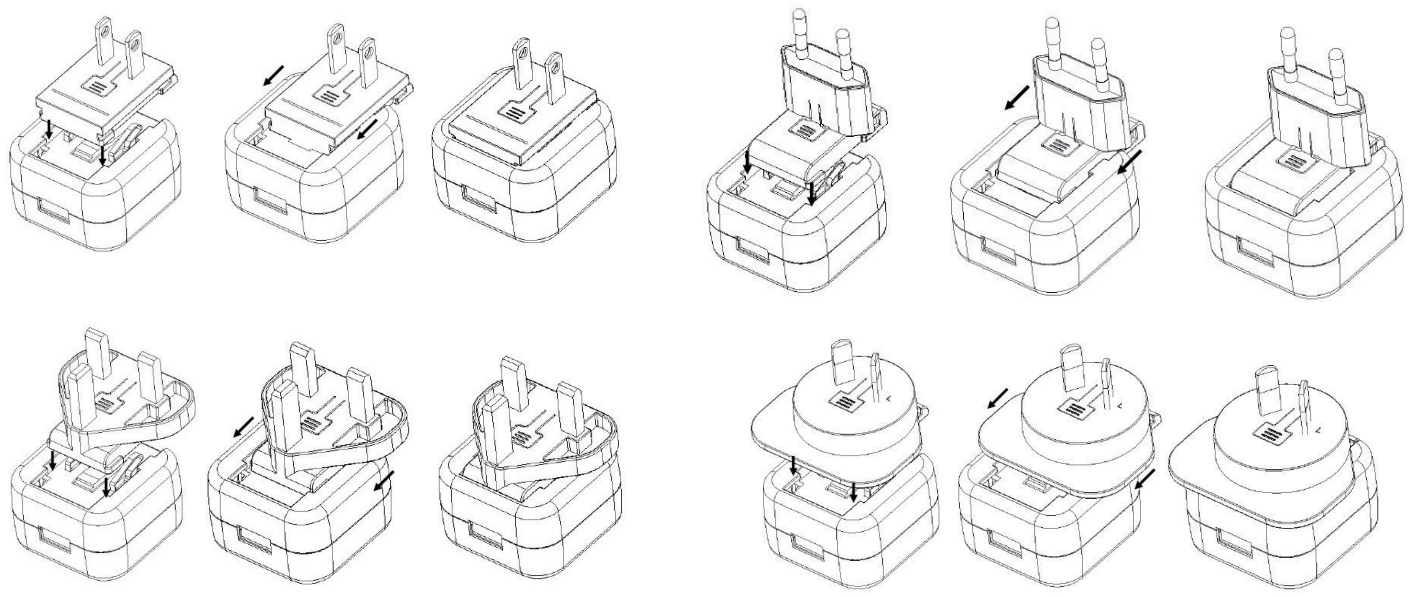
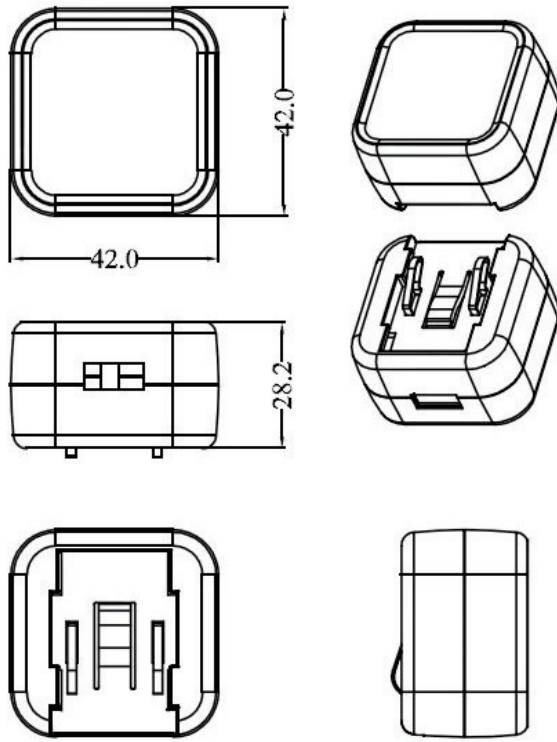
UK version



Type No	Output	
	Voltage	Current
SA11	3.0 - 30.0 V	0.16 - 1.2 A

Remarks :-

- 1) Input Voltage : AC 100-240V 50/60Hz
- 2) Weight per unit : approximate 90gm - 115gm
- 3) For any further inquires about the safety approvals, output voltage or current, please feel free to contact our sales representative

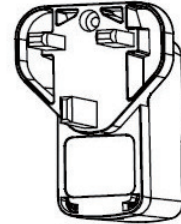
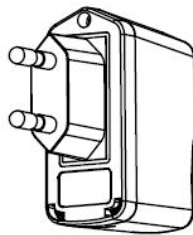
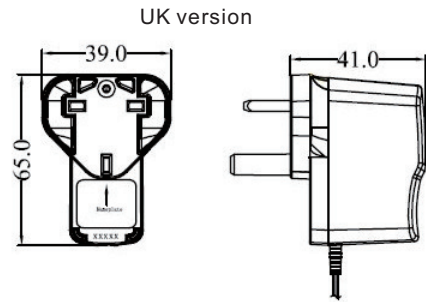
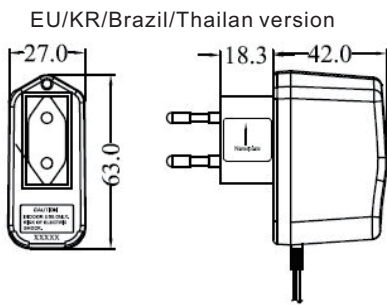


Type No	Output	
	Voltage	Current
Slim USB	5.00 V	0.5 - 1.2 A

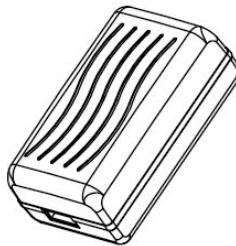
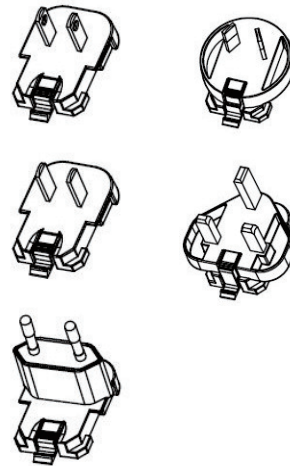
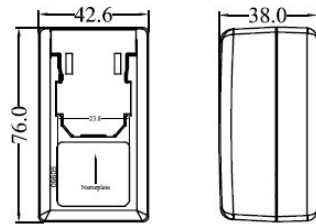
Remarks :-

- 1) Input Voltage : AC 100-240V 50/60Hz
- 2) Approved Safety Standard: UL/cUL60950/FCC/CB/CE EN60950/EMC/AS/NZS60950
- 3) For any further inquires about the safety approvals, output voltage or current, please feel free to contact our sales representative

Direct Plug-in Type 6W series



Removable AC plug version

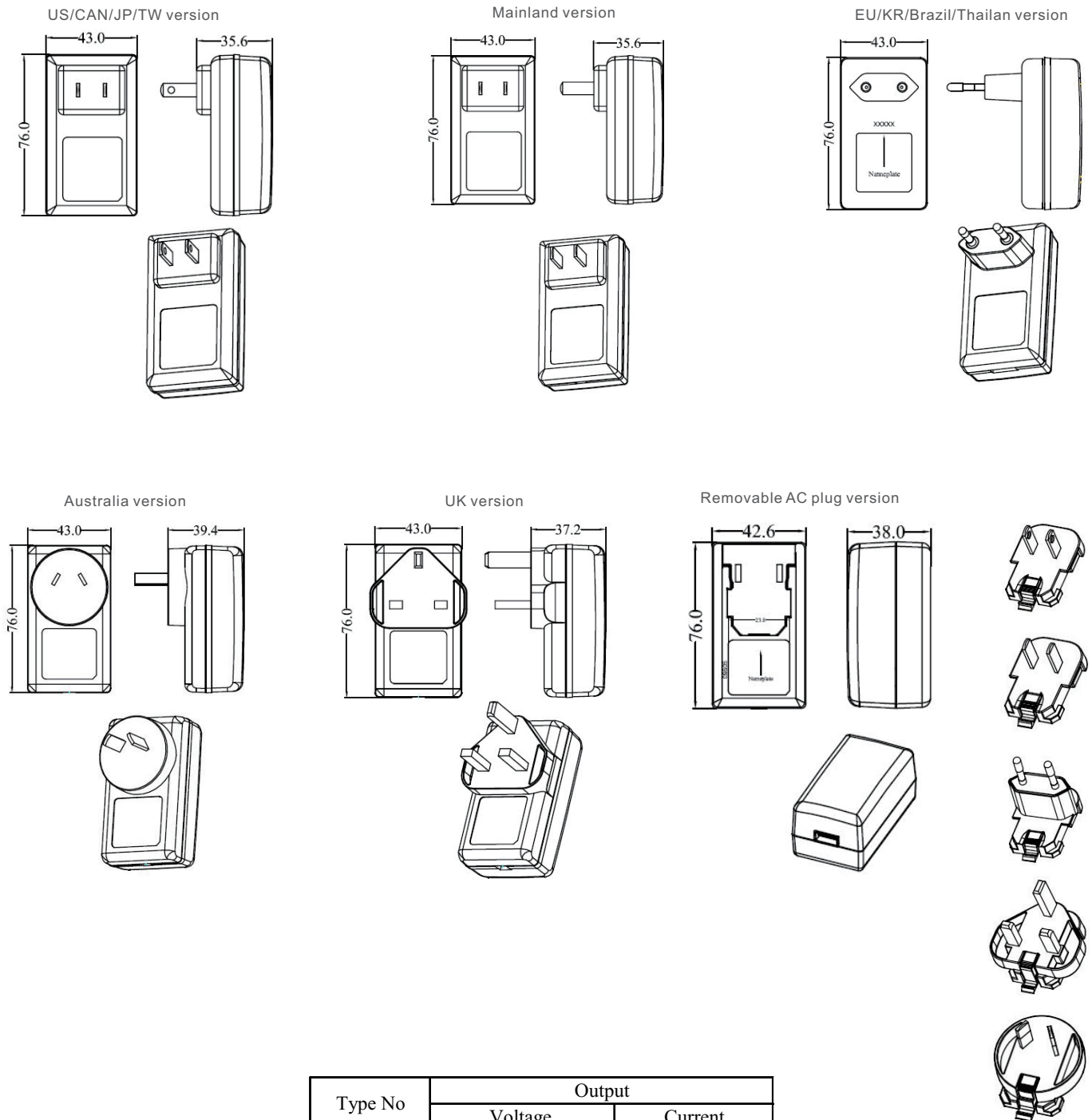


Type No	Output	
	Voltage	Current
EFS006	3.0 - 24 V	0.2 - 1.5 A

Remarks :-

- 1) Input Voltage : AC 100-240V 50/60 Hz
- 2.) Approval safety standard : CE/GS-EN60065,EN60950/EMC
- 3.) Output Type : USB socket or cable
- 4.) For any further inquires about the safety approvals, output voltage or current, please feel free to contact our sales representative

Direct Plug-in Type 9W series

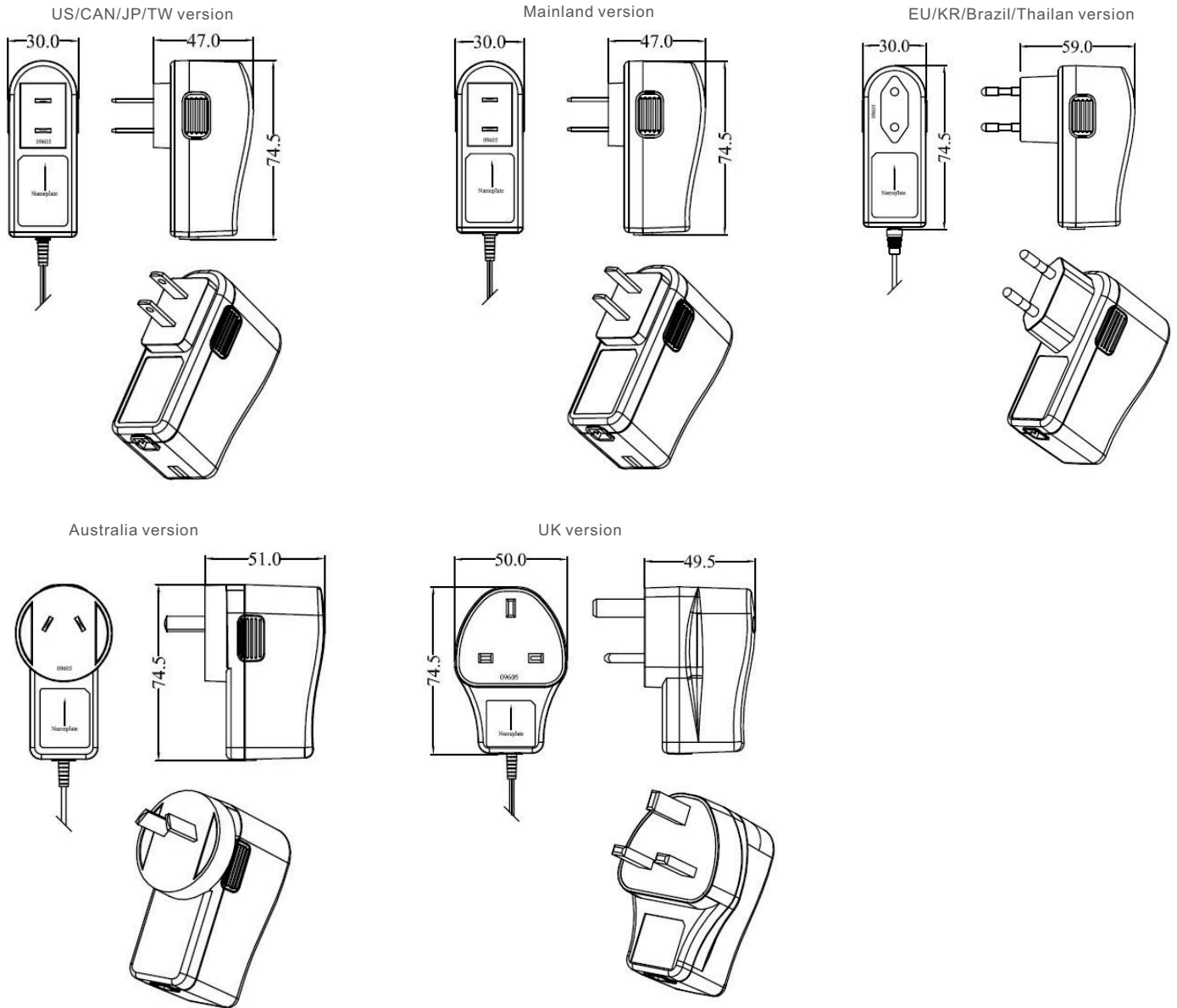


Type No	Output	
	Voltage	Current
EFA009	5.0 - 12 V	0.75 - 1.8 A

Remarks :-

- 1) Input Voltage : AC 100-240V 50/60 Hz
- 2.) Approval safety standard : UL/cUL60950/FCC/CE/GS-EN60950/EMC/GOST60950/SAA/CCC
- 3.) Output Type : USB socket or cable
- 4.) For any further inquires about the safety approvals, output voltage or current, please feel free to contact our sales representative

Direct Plug-in Type 9W series

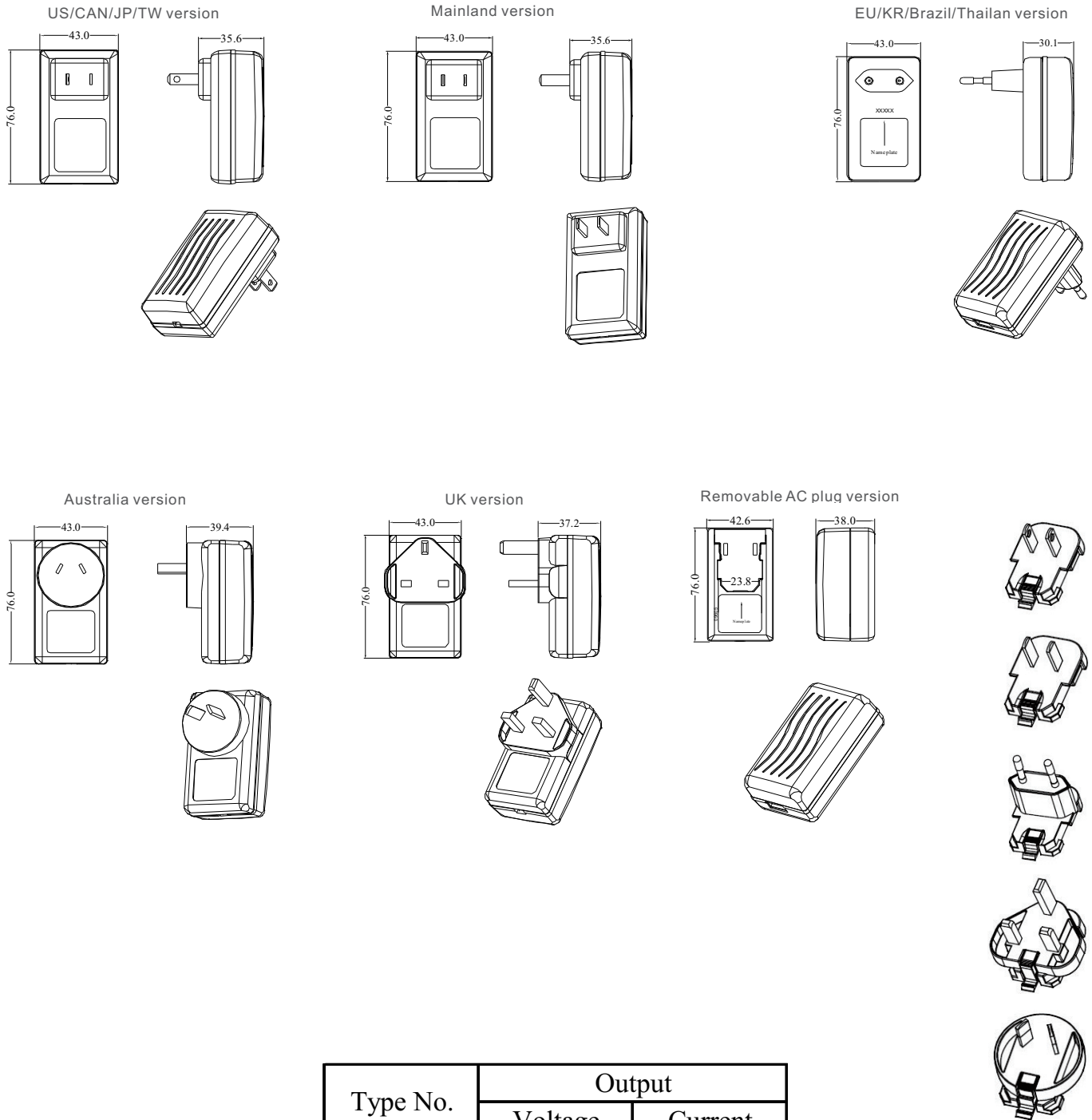


Type No	Output	
	Voltage	Current
EFS009	5.0 - 12 V	0.75 - 1.8 A

Remarks :-

- 1) Input Voltage : AC 100-240V 50/60 Hz
- 2.) Approval safety standard : ETL/cETL60065,UL/cUL60950/FCC/CE/GS-EN60065,SAA60065/EMC/CCC/PSE
- 3.) For any further inquires about the safety approvals, output voltage or current, please feel free to contact our sales representative

Direct Plug-in Type 12W series



Type No.	Output	
	Voltage	Current
EFA012	5.0 - 14 V	0.7 - 2.4 A

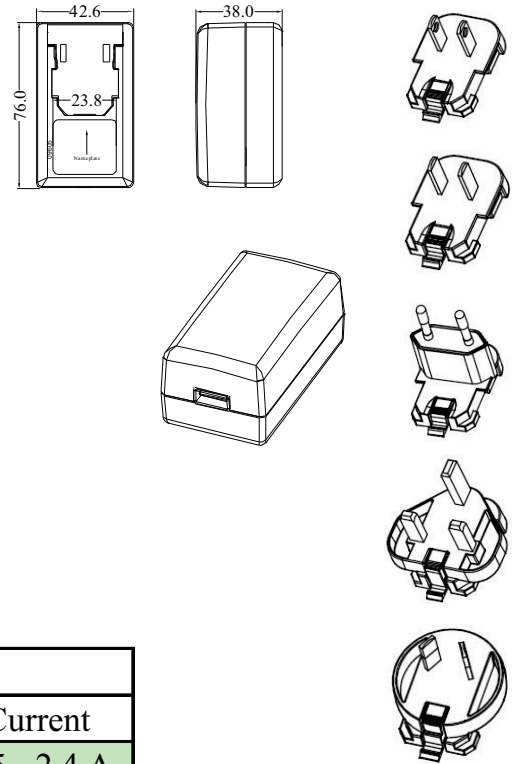
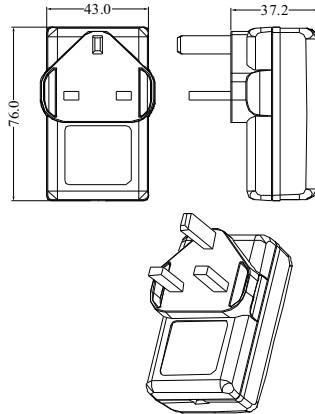
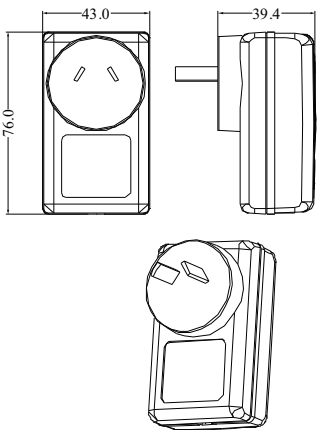
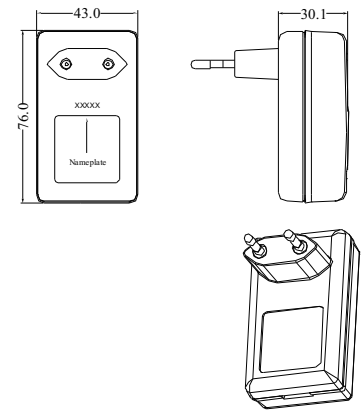
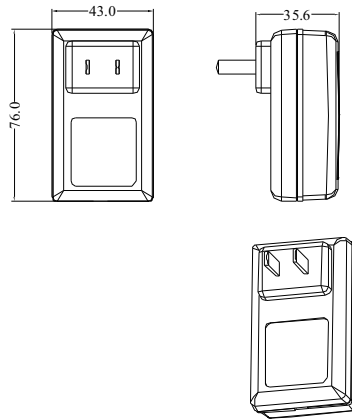
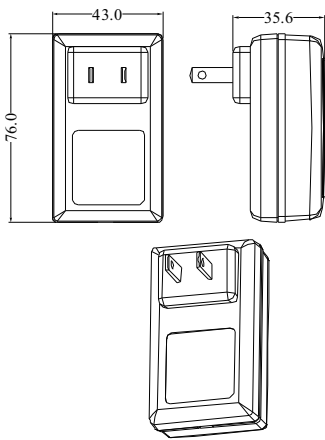
Remarks :-

- 1) Input Voltage : AC 100-240V 50/60 Hz
- 2.) Approved safety standard : UL/cUL60065/FCC/CE/GS-EN60065&60950/EMC/PSE/CCC/SAA
- 3.) Output Type : USB socket or cable
- 4.) For any further inquires about the safety approvals, output voltage or current, please feel free to contact our sales representative

Switching Power Supply

www.wahhing.com.hk

Direct Plug-in Type 12W series



Type No.	Output	
	Voltage	Current
EFS012	5.0 - 24 V	0.5 - 2.4 A

Remarks :-

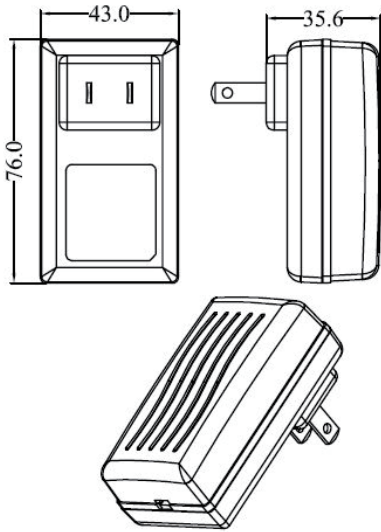
- 1) Input Voltage : AC 100-240V 50/60 Hz
- 2.) Approved safety standard : UL/cUL60950/FCC/CE/GS-EN60065/EMC/PSE/CCC/GOST60950/SAA
- 3.) Output Type : USB socket or cable
- 4.) For any further inquires about the safety approvals, output voltage or current, please feel free to contact our sales representative

Switching Power Supply

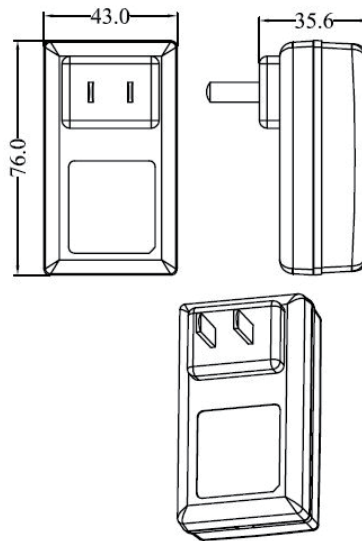
www.wahhing.com.hk

Direct Plug-in Type 18W series

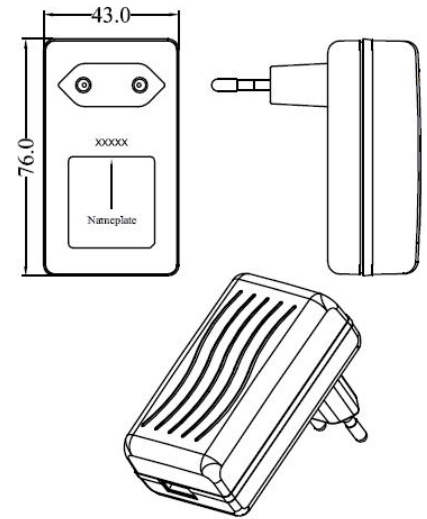
US/CAN/JP/TW version



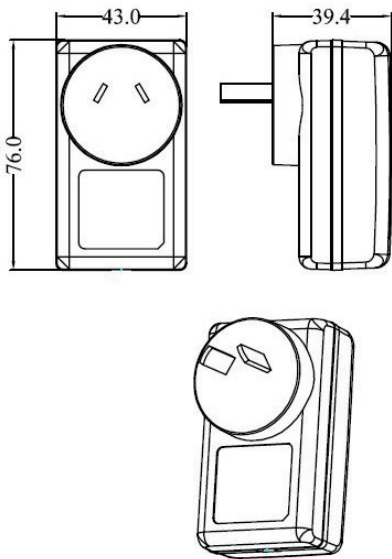
Mainland version



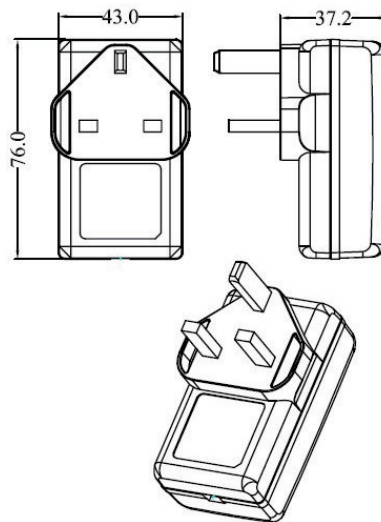
EU/KR/Brazil/Thailand version



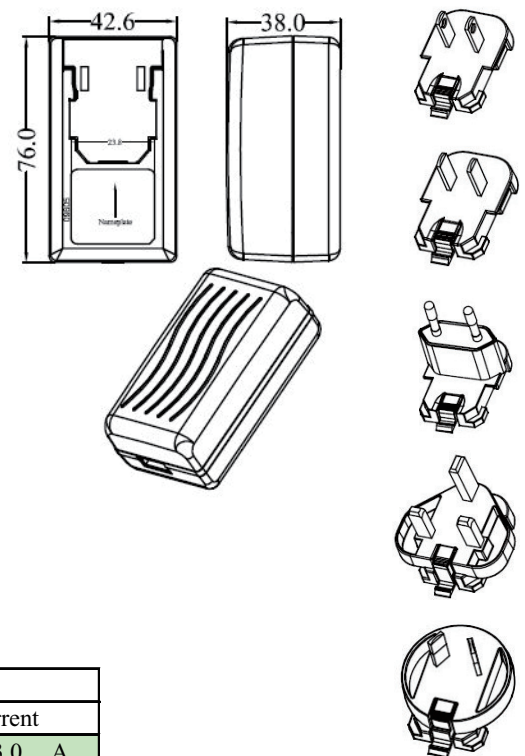
Australia version



UK version



Removable AC plug version



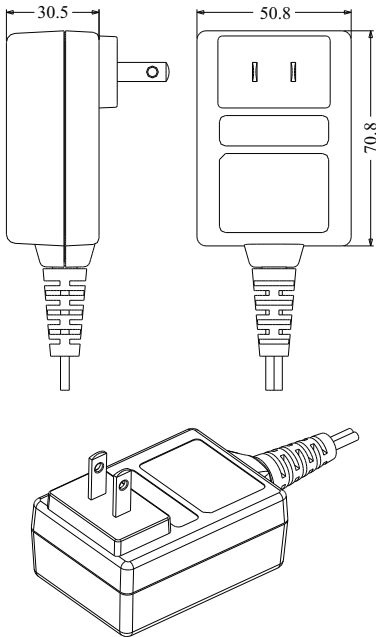
Type No	Output	
	Voltage	Current
EFS018	5.0 - 24 V	0.75 - 3.0 A

Remarks :-

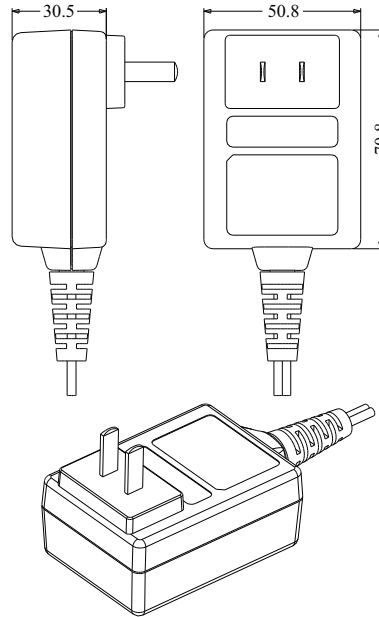
- 1) Input Voltage : AC 100-240V 50/60 Hz
- 2.) Approval safety standard : UL/cUL60950/FCC/CE/GS-EN60065/EMC
- 3.) For any further inquires about the safety approvals, output voltage or current, please feel free to contact our sales representative

Direct Plug-in Type 20W series

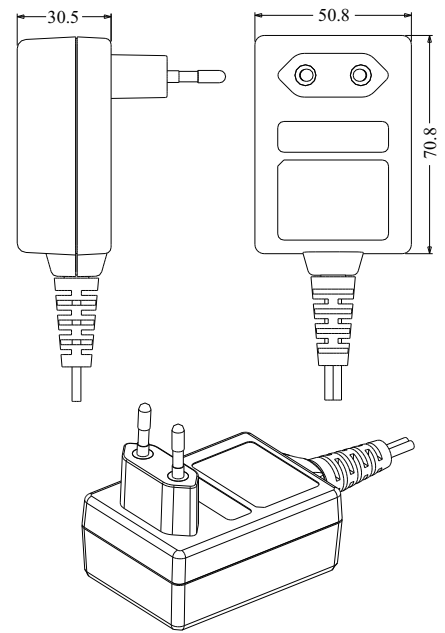
US/CAN version



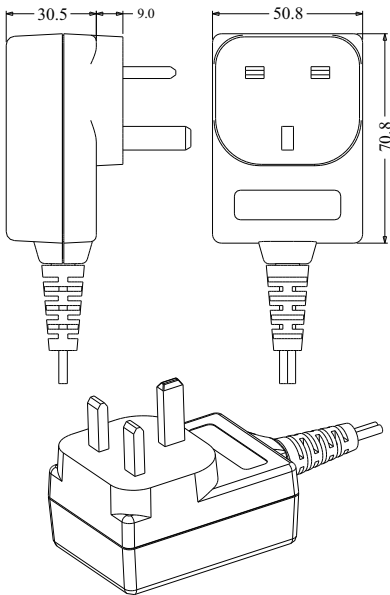
China version



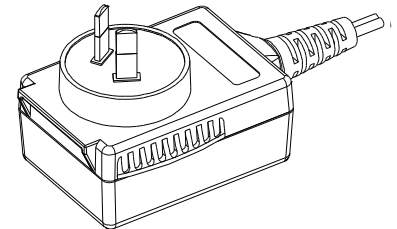
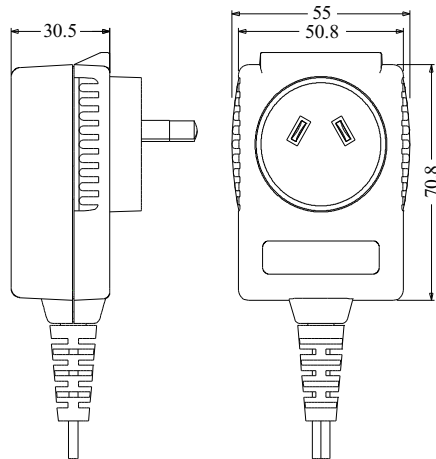
EU version



UK version



Australia version



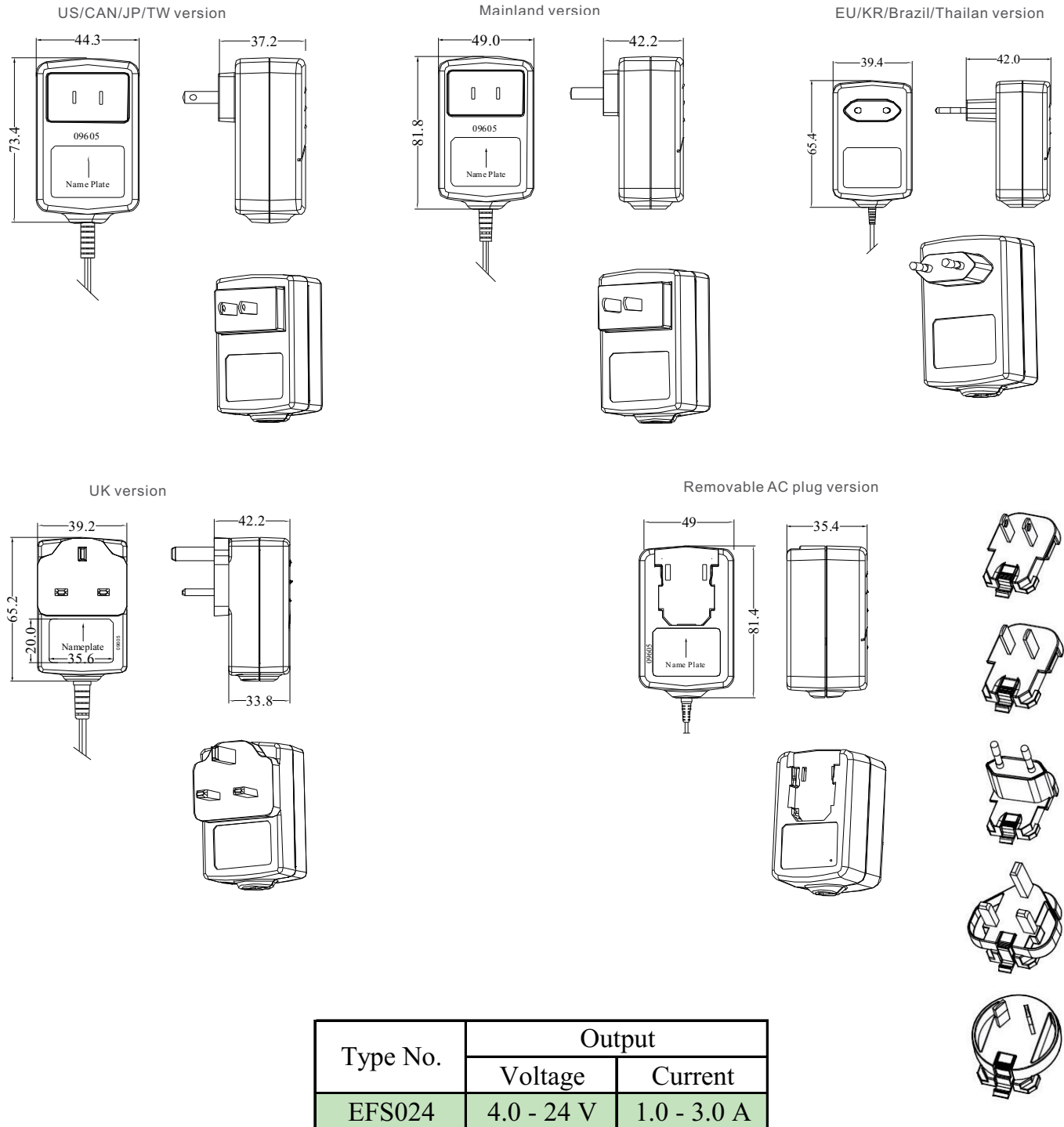
Unit in mm

Type No	Output	
	Voltage	Current
SA15	5.0 - 25.0 V	0.8 - 3.0 A

Remarks :-

- 1) Input Voltage : AC 100-240V 50/60Hz
- 2) Weight per unit : approximate 150gm - 175gm
- 3) For any further inquires about the safety approvals, output voltage or current, please feel free to contact our sales representative

Direct Plug-in Type 24W series

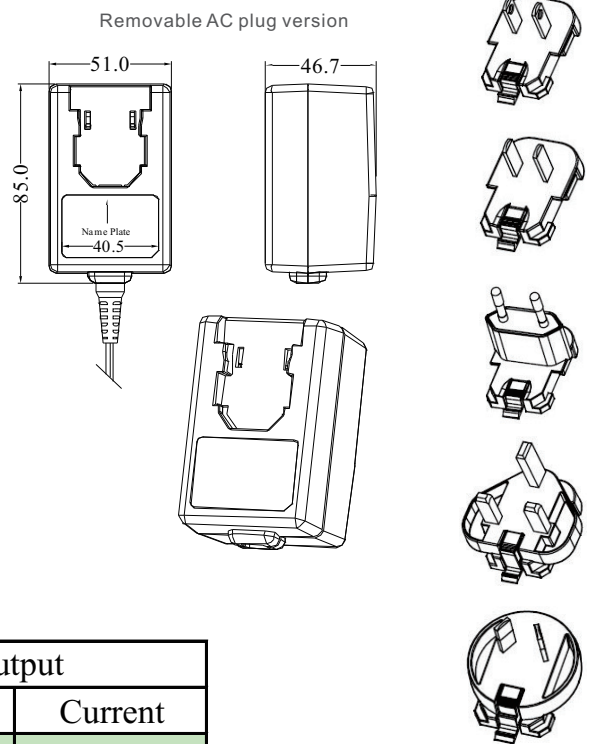
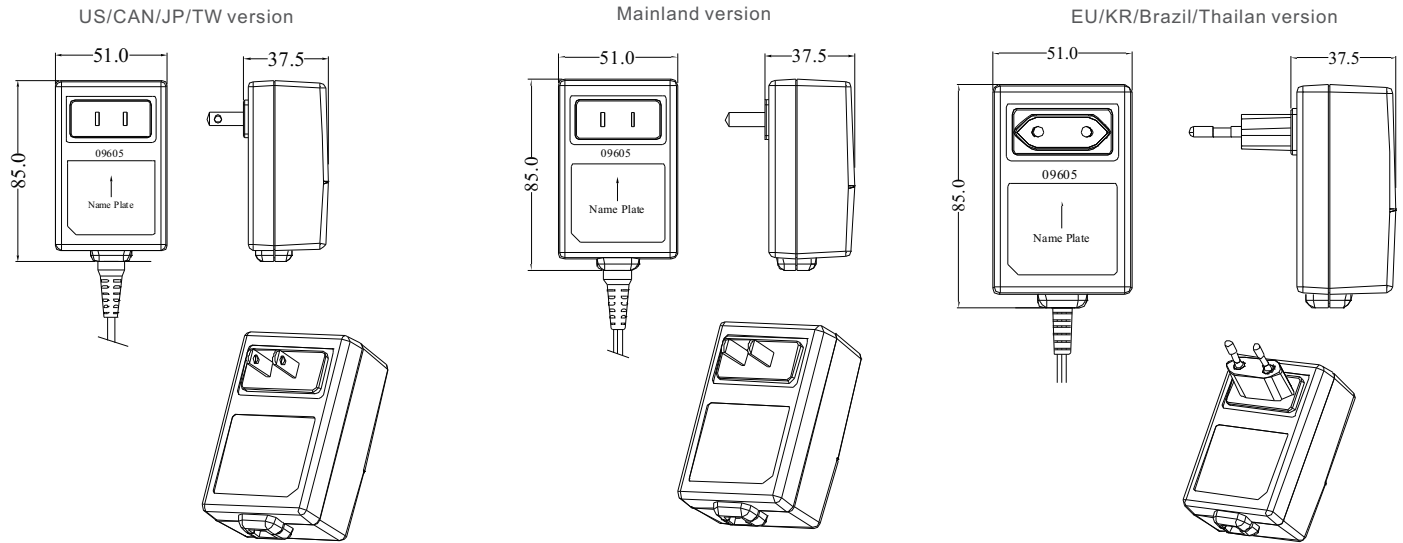


Type No.	Output	
	Voltage	Current
EFS024	4.0 - 24 V	1.0 - 3.0 A

Remarks :-

- 1) Input Voltage : AC 100-240V 50/60 Hz
- 2.) Approved safety standard : UL/cUL60950/FCC/CE/GS-EN60950/EMC/PSE/CCC/SAA/Argentina
- 3.) For any further inquires about the safety approvals, output voltage or current, please feel free to contact our sales representative

Direct Plug-in Type 36W series



Type No.	Output	
	Voltage	Current
EFS/A036	9.0 - 24 V	1.5 - 3.0 A

Remarks :-

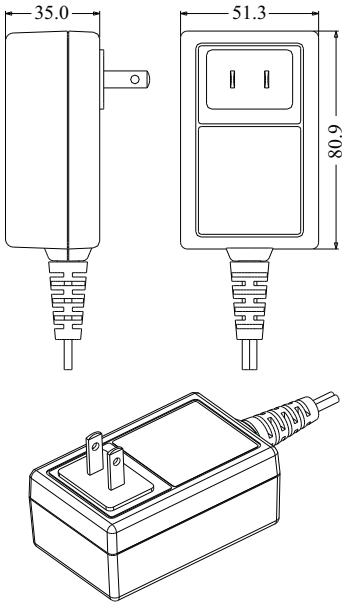
- 1) Input Voltage : AC 100-240V 50/60 Hz
- 2.) Approved safety standard : UL/cUL60950/FCC/CE/GS-EN60065/EMC/PSE/CCC/SAA
- 3.) For any further inquires about the safety approvals, output voltage or current, please feel free to contact our sales representative

Switching Power Supply

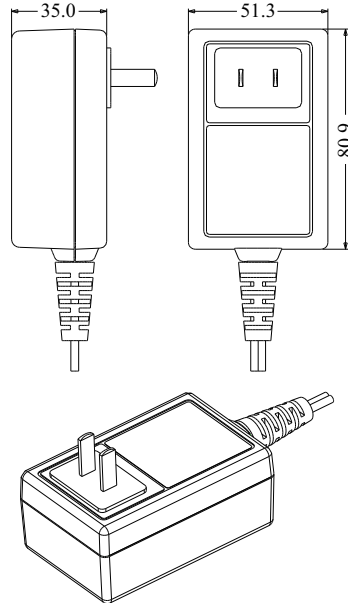
www.wahhing.com.hk

Direct Plug-in Type 36W series

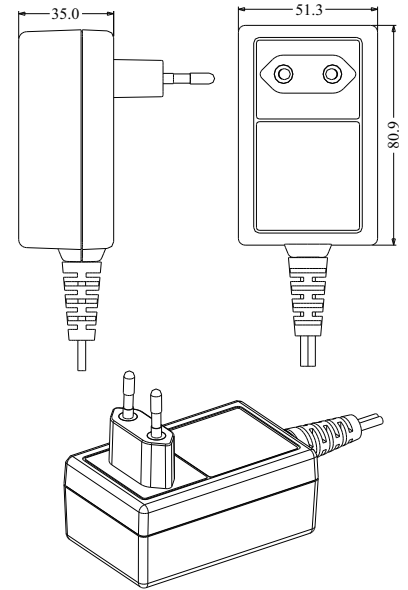
US/CAN version



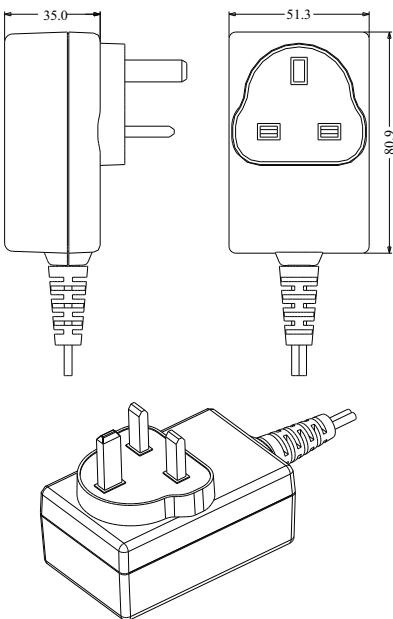
China version



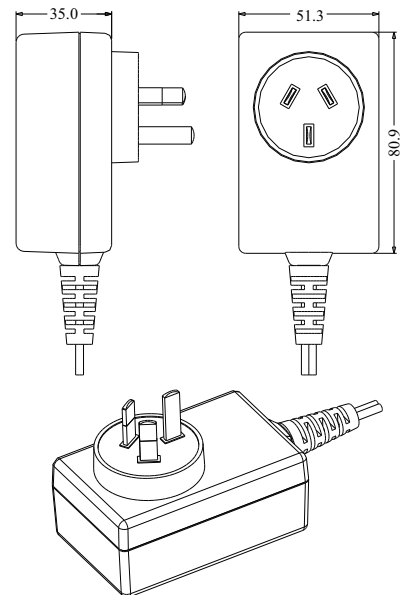
EU version



UK version



Australia version

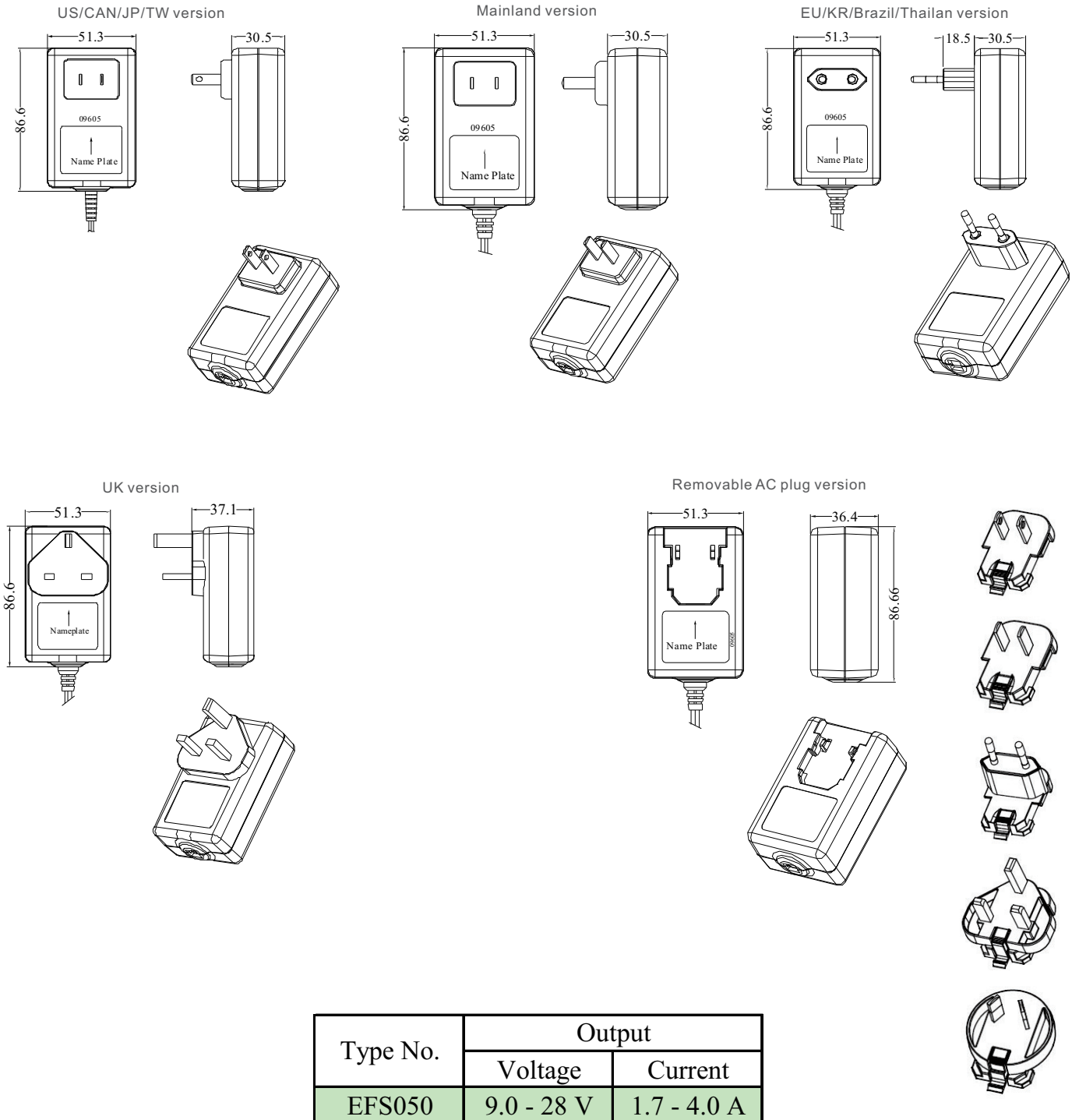


Type No	Output	
	Voltage	Current
SA16	5.0 - 25.0 V	1.4 - 4.0 A

Remarks :-

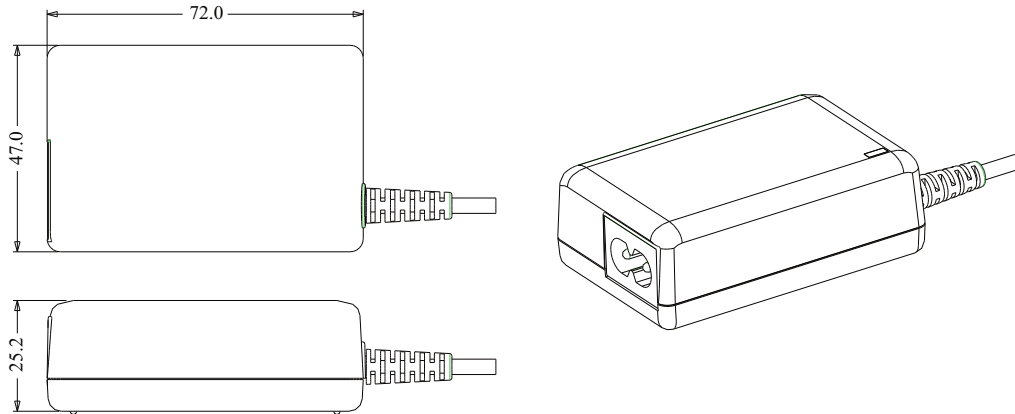
- 1) Input Voltage : AC 100-240V 50/60 Hz
- 2) Weight per unit : approximate 225gm - 250gm
- 3) For any further inquires about the safety approvals, output voltage or current, please feel free to contact our sales representative

Direct Plug-in Type 50W series



Remarks :-

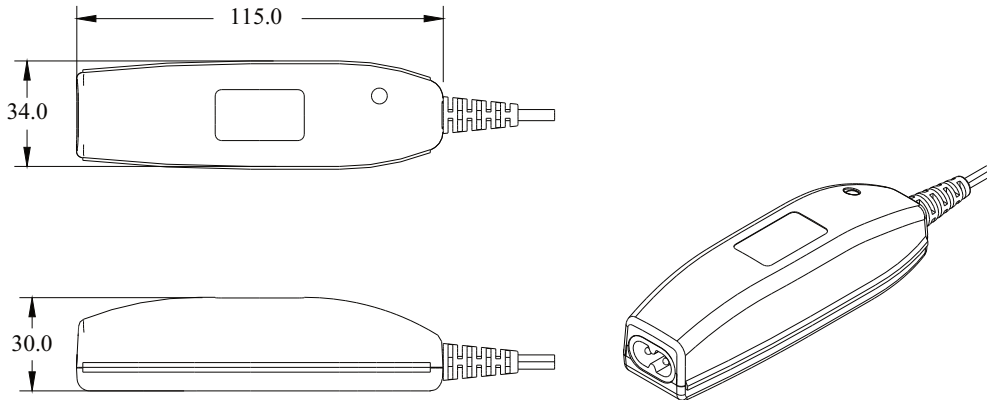
- 1) Input Voltage : AC 100-240V 50/60 Hz
- 2.) Approved safety standard : UL/cUL60065/FCC/CE/GS-EN60065/EMC/CCC/SAA
- 3.) For any further inquires about the safety approvals, output voltage or current, please feel free to contact our sales representative



Type No	Output	
	Voltage	Current
SA03	3.0 - 36.0 V	0.28 - 3.0 A

Remark :-

- 1) Input Voltage : AC 100-240V 50/60Hz
- 2) Weight per unit : approximate 118gm
- 3) Power Indication : Green Light (Other colour available upon request)
- 4) For any further inquires about the safety approvals, output voltage or current, please feel free to contact our sales representative



Type No	Output	
	Voltage	Current
SA05	5.0 - 36.0 V	0.56 - 3.0 A

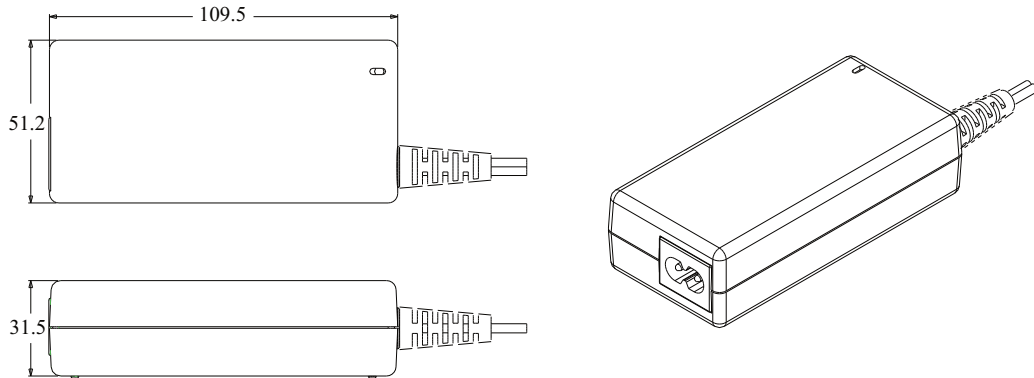
Remarks :-

- 1) Input Voltage : AC 100-240V 50/60Hz
- 2) Weight per unit : approximate 135gm
- 3) Power Indication : Green Light (Other colour available upon request)
- 4) For any further inquires about the safety approvals, output voltage or current, please feel free to contact our sales representative

Switching Power Supply

www.wahhing.com.hk

Desk-Top Type
60W series



Type No	Output	
	Voltage	Current
SA14	5.0 - 36.0 V	1.66 - 6.0 A

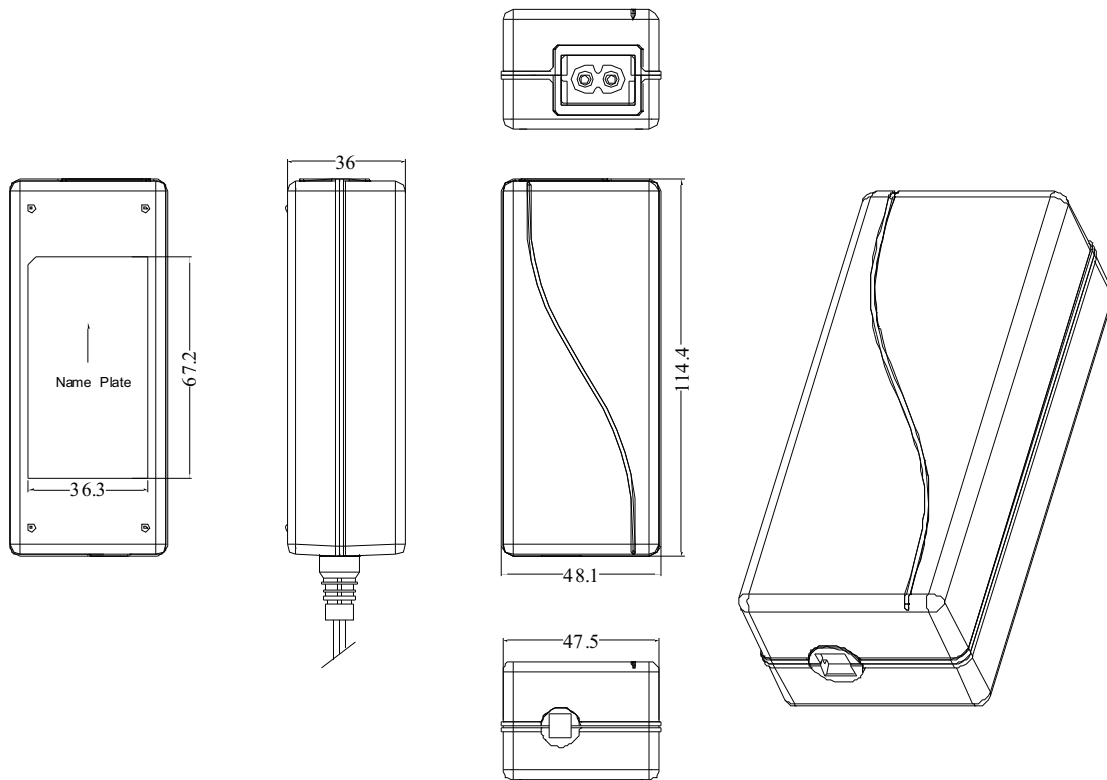
Remarks :-

- 1) Input Voltage : AC 100-240V 50/60 Hz
- 2) Weight per unit : approximate 240gm
- 3) Power Indication : Green Light (Other colour available upon request)
- 4) For any further inquires about the safety approvals, output voltage or current, please feel free to contact our sales representative

Switching Power Supply

www.wahhing.com.hk

Desk-Top Type 65W series



Type No	Voltage	Current
EFS065	12 - 24 V	2.0 - 5.0 A

Remarks :-

- 1) Input Voltage : AC 100-240V 50/60 Hz
- 2.) Approved safety standard : UL/cUL60065 , FCC , CE , GS-EN60065 , EMC
- 3) For any further inquires about the safety approvals, output voltage or current, please feel free to contact our sales representative